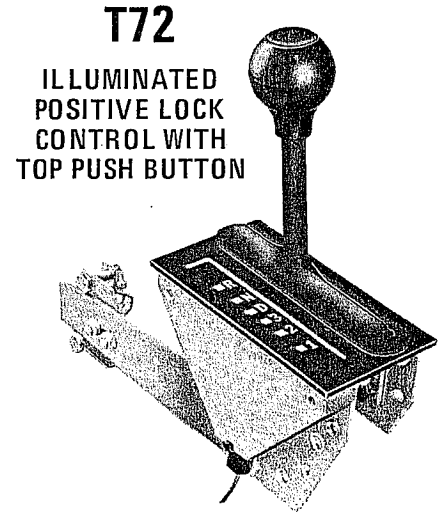
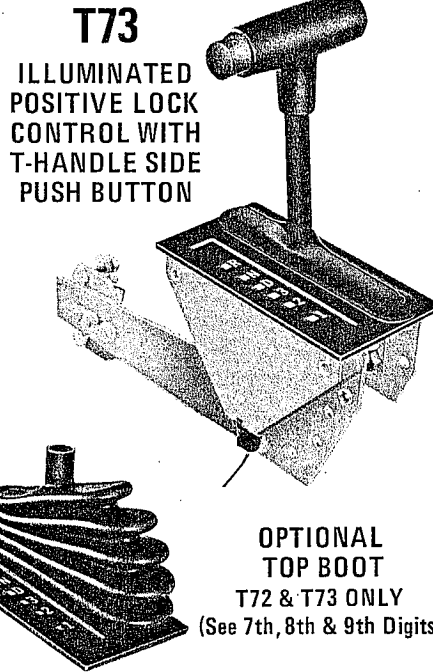
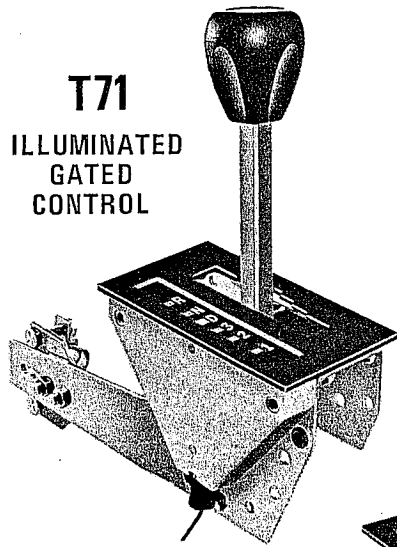


TRANSMISSION SHIFT CONTROLS

FIRST, SECOND & THIRD digits



FOURTH digit

ALWAYS USE 3" STROKE CABLE

CABLE ROD END	1/4" - 28		5/16" - 24	
SWITCH*	NO	YES	NO	YES
CLAMP END FITTINGS	1	5	2	6
BULKHEAD END FITTINGS	3	7	4	8

* The two position switch provides for both Neutral Start and Reverse Warning functions, contacts rated at 12 V. DC, 7 Amps. Max.

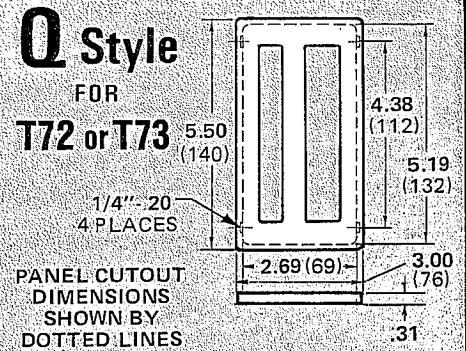
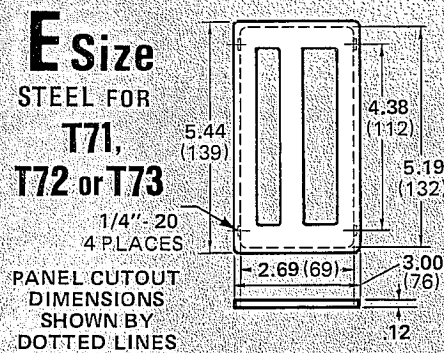
FIFTH digit

← FRONT OF VEHICLE ←
(Control Mounted on Right Side of Driver)

When lever is moved toward front of vehicle	1	2	3	4
CABLE PUSHES				
When lever is moved toward front of vehicle	5	6	7	8
CABLE PULLS				

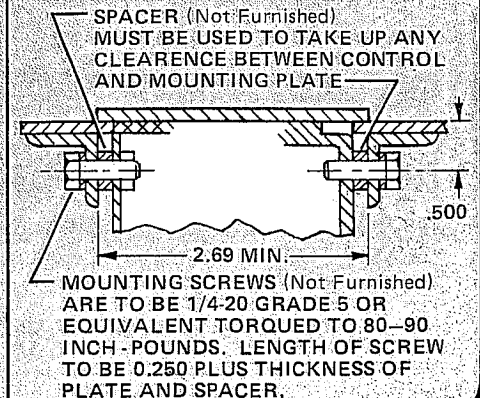
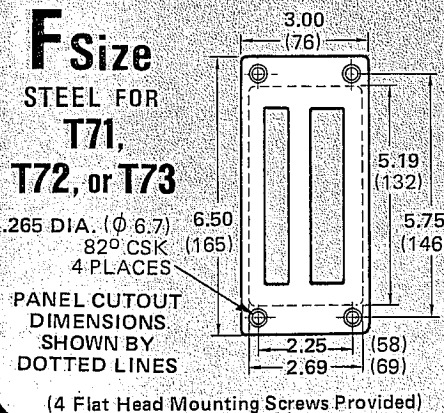
SIXTH digit

PEDESTAL / SIDE MOUNTING



TOP / SURFACE MOUNT

SIDE MOUNTING INSTRUCTIONS



QUADCO® SHIFT CONTROLS for **ALLISON** **AUTOMATIC TRANSMISSIONS**

Selection of the 7, 8 and 9th Digits of the Control Part Number identify the Lens, Segment, Gate Plate and Style of Boot (if any). The Selector Lever at the Transmission must be as specified. The Transmission Connector Kits shown on the back of this page provide the proper Selector Lever.

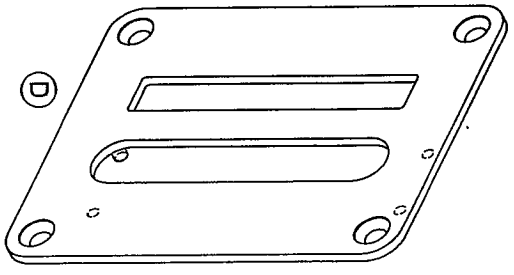
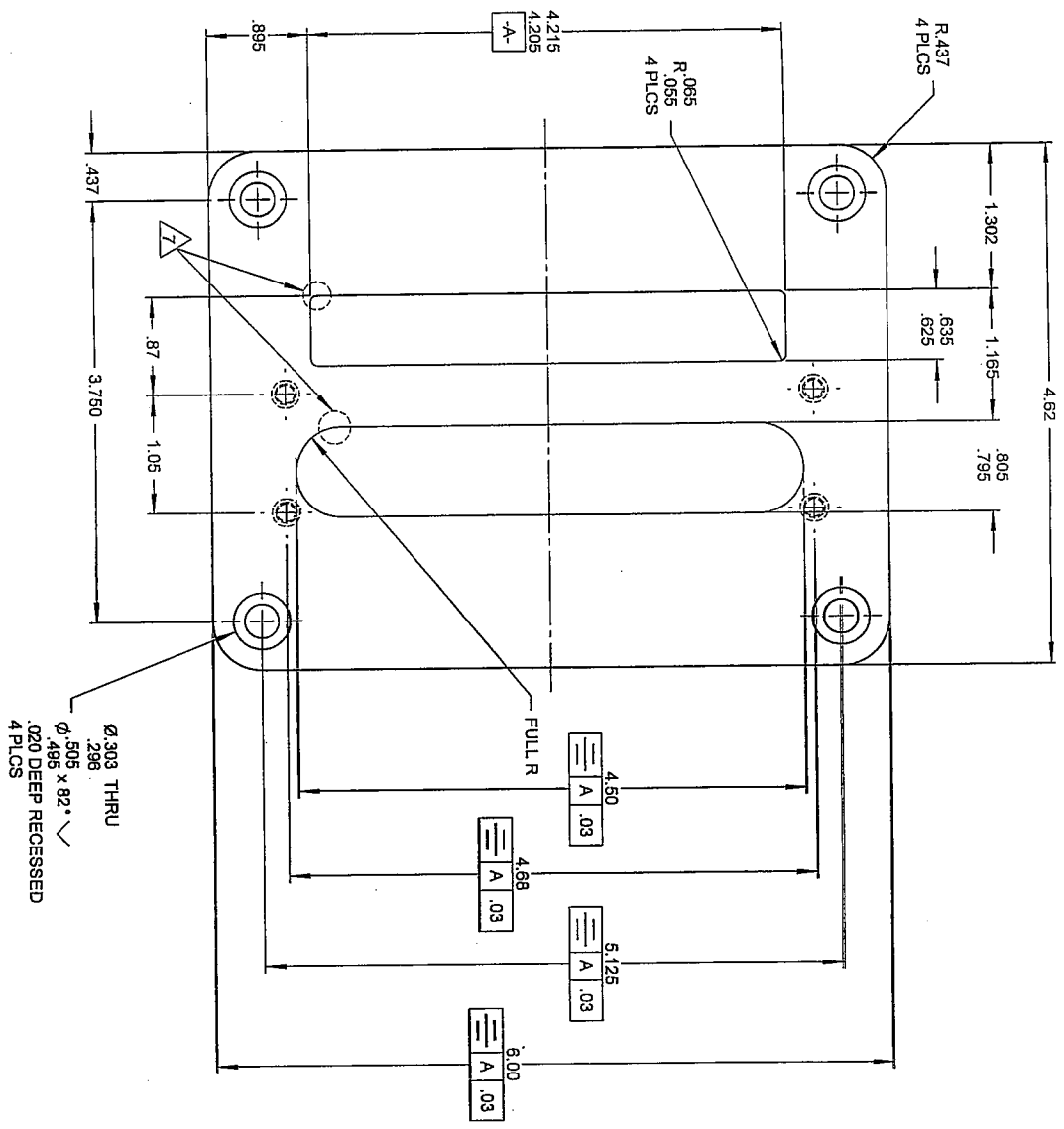
SEVENTH, EIGHTH & NINTH digits

Transmission Model Number	Total Angular Rotation Of Valve (CCW to REV)	Required Selector Lever Radius On Transmission	Position Strip Reads From Top (front) To Bottom (rear)	7, 8 and 9 DIGITS			
				T71 Gated Control	T72 & T73 (1) With Positive Lock in All Ranges		T72 & T73 (2) With Neutral Lock Only
					Slot Cover	Top Boot	Slot Cover
AT542, AT545	62.45°	2.53 inches (64 mm)	R N D 3 2 1 1 2 3 D N R	603 604	651 652	649 650	745 748
MT640, MT643 MT644, MT647	62.45°	2.53 inches (64 mm)	R N D 3 2 1 1 2 3 D N R	603 604	651 652	649 650	745 748
MT650 MT653DR	62.45°	2.53 inches (64 mm)	R N 5/2 4/2 2 1 1 2 4/2 5/2 N R	611 612	655 656	653 654	751 752
MT654CR CLT654	50.73°	3.06 inches (78 mm)	R N D 4 3 2 1 1 2 3 4 D N R	625 626	663 664	661 662	759 760
HT740, HT747	41.8°	3.06 inches (78 mm)	R N D 3 2 1 1 2 3 D N R	619 620	659 660	657 658	755 756
HT750CR HT754CR	50.73°	3.06 inches (78 mm)	R N D 4 3 2 1 1 2 3 4 D N R	625 626	663 664	661 662	759 760
HT750DR CL(B)T750	50.73°	3.06 inches (78 mm)	R N 5/2 4/2 3/2 2.1 1 2 3/2 4/2 5/2 N R	631 632	667 668	665 666	763 764

NOTES:

- (1) These Controls have a positive lock in all gear ranges requiring a secondary motion to shift.
- (2) These Controls have a positive lock in Neutral, latch on downshifting and are non-latching on upshift to Neutral.

SEE REVERSE SIDE FOR TRANSMISSION CONNECTOR KITS



INT.	ENGLISH	METRIC
FRACIONS	1/32	—
IN	1/16	1.58
MM	1/64	0.79
ANGLE	1/2	1.27

GRANDI	RRACHO	11/13/2003
PROYECTADO	APROBADO	DATE
MNYEZDATNY		

QUADRASTAT CORP.
 A DIVISION OF ADAMS FINE MANUFACTURING CO.
 1000 W. 10TH ST. ST. LOUIS, MO. 63103
 Phone: (609) 832-2800 Fax: (609) 832-2899

GATE PLATE

REV: C D

ITEM NO.	QTY.	PART NO.	DESCRIPTION
2	4	SW-5F1032-8	WELD SCREW
1	1	DTJ021R	GATE PLATE

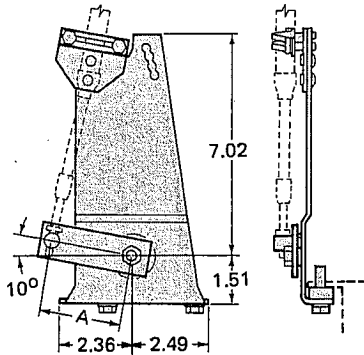
BILL OF MATERIALS

A B C D E

ALLISON TRANSMISSION CONNECTOR KITS

VERTICAL Top Entry

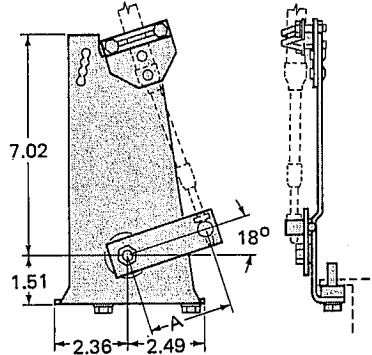
**PUSH
To Reverse**



PART NO.	ROD END THREAD SIZE	USE ON ALLISON MODEL	LEVER RADIUS "A"
T201	1/4-28	AT542 AT545 MT640 MT643	2.53
T202	5/16-24	MT644 MT647 MT650 MT653DR	

VERTICAL Top Entry

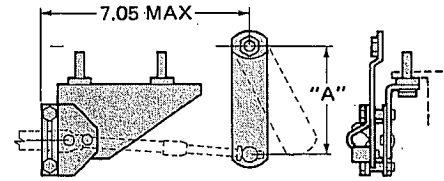
**PULL
To Reverse**



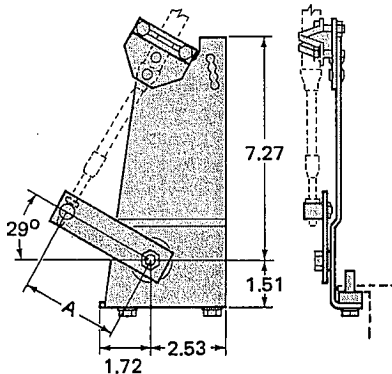
PART NO.	ROD END THREAD SIZE	USE ON ALLISON MODEL	LEVER RADIUS "A"
T203	1/4-28	AT542 AT545 MT640 MT643	2.53
T204	5/16-24	MT644 MT647 MT650 MT653DR	

HORIZONTAL Front Entry

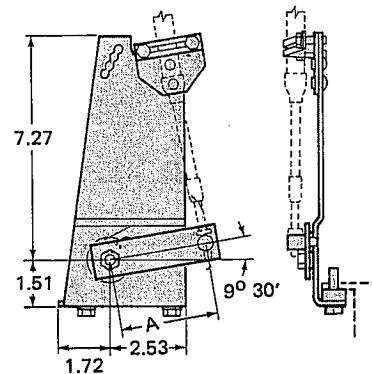
**PUSH
To Reverse**



PART NO.	ROD END THREAD SIZE	USE ON ALLISON MODEL	LEVER RADIUS "A"
T235	1/4-28	MT640 MT643 MT644	2.53
T236	5/16-24	MT647 MT650 MT653DR	
T239	1/4-28	MT654CR HT740	3.06
T240	5/16-24	HT740FS HT750DR HT754CR	



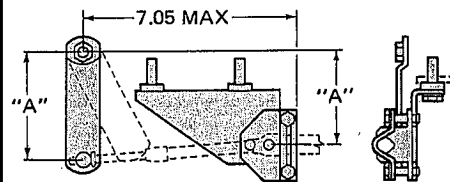
PART NO.	ROD END THREAD SIZE	USE ON ALLISON MODEL	LEVER RADIUS "A"
T213	1/4-28	MT654CR HT740	3.06
T214	5/16-24	HT740FS HT750DR HT754CR	



PART NO.	ROD END THREAD SIZE	USE ON ALLISON MODEL	LEVER RADIUS "A"
T215	1/4-28	MT654CR HT740	3.06
T216	5/16-24	HT740FS HT750DR HT754CR	

HORIZONTAL Rear Entry

**PULL
To Reverse**

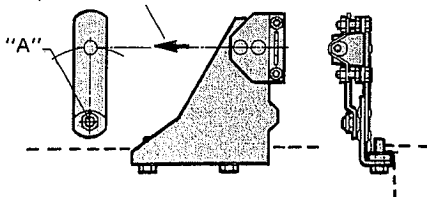


PART NO.	ROD END THREAD SIZE	USE ON ALLISON MODEL	LEVER RADIUS "A"
T247	1/4-28	AT542 AT545 MT640 MT643	2.53
T248	5/16-24	MT644 MT647 MT650 MT653DR	
T251	1/4-28	MT654CR HT740	3.06
T252	5/16-24	HT740FS HT750DR HT754CR	

HORIZONTAL Rear Entry

**PUSH
To Reverse**

Cable pushes selector arm to reverse



PART NO.	ROD END THREAD SIZE	USE ON ALLISON MODEL	LEVER RADIUS "A"
T768	1/4-28	AT542 AT545 MT643	2.53
T778	5/16-24	MT644 MT647 MT650 MT653DR	
T762	1/4-28	MT654CR HT740	3.06
T767	5/16-24	HT740FS HT750DR HT754CR	